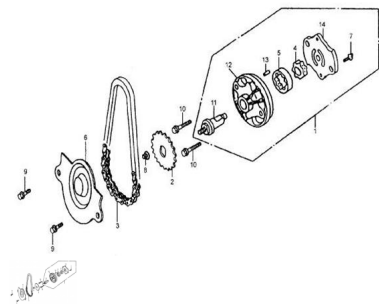


TAPA CARTER LADO VOLANTE



Rating: Not Rated Yet

Price:

Variant price modifier:

Base price with tax:

Price with discount:

Salesprice with discount:

Sales price:

Sales price without tax:

Discount:

Tax amount:

[Ask a question about this product](#)

Description

	Ref.	Título		Código
1		TAPA CARTER LADO IZQUIERDO	85-110380084	
2		ABRAZADERA	85-380940256	
3		PERNO 8X14	85-380600095	
4		SOPORTE INFERIOR SEMICARTER IZQUIERDO	85-380940322	
5		JUNTA TAPA CARTER LADO IZQUIERDO	85-110390016	
6		ABRAZADERA	85-380940257	
7		SOPORTE CABLE DE FRENO	85-380940323	
8		PLACA GUIA	85-110580002	
9		TORNILLO ST4.2X8	85-380310104	
10		TORNILLO M6X40	85-380140052	
11		TORNILLO M6X70	85-380140220	
12		TORNILLO M6X12	85-380140001	
13		PEDAL PUESTA EN MARCHA	85-193840142	
14		TORNILLO M6X22	85-380140145	
15		TORNILLO M6X45	85-380140184	

