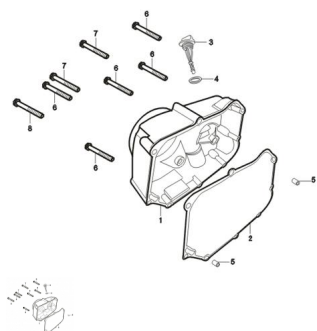


TAPA CARTER LADO EMBRAGUE



Rating: Not Rated Yet

Price:

Variant price modifier:

Base price with tax:

Price with discount:

Salesprice with discount:

Sales price:

Sales price without tax:

Discount:

Tax amount:

[Ask a question about this product](#)

Description	Ref.	Título	Código
	1	TAPA SEM ICARTER DERECHA (NEGRA)	80-110600
	1	TAPA SEM ICARTER DERECHA (NEGRA)	80-110600
	2	JUNTA TAPA SEM ICARTER DERECHA	80-110620
	3	VARILLA NIVEL DE ACEITE	80-110700
	4	O-RING	80-380840
	5	PERNO	80-380600
	6	TORNILLO	

Ref.	Título	Código
	7	TORNILLO