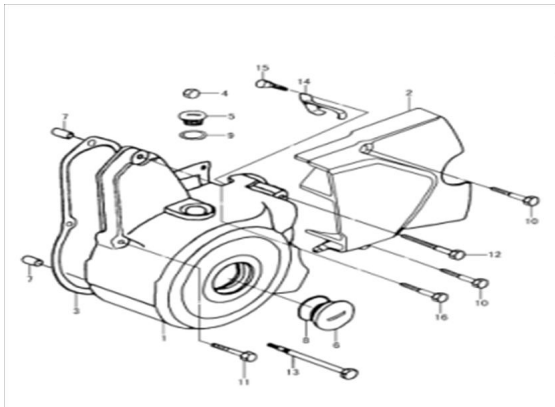


TAPA CARTER IZQUIERDO



Rating: Not Rated Yet

Price:

Variant price modifier:

Base price with tax:

Price with discount:

Salesprice with discount:

Sales price:

Sales price without tax:

Discount:

Tax amount:

[Ask a question about this product](#)

Description

Ref.

Título

Código

MOTOR : TAPA CARTER IZQUIERDO

1	TAPA LADO VOLANTE	5-11811H12020-8
2	TAPA PIÑÓN	5-11361H12020-8
3	JUNTA TAPA LADO VOLANTE	5-11814H12000
4	TAPA DE GOMA LADO VOLANTE	5-11815H12000
5	AGUJERO DE CHEQUEO	5-11813H12000-8
6	TAPON VERIFICADOR ENCENDIDO	5-11812H12000-8
7	PENO DE GUIA 8X12	5-04211-08129-3
8	O-RING 27X2.0	5-09280-27010
9	O-RING 13.8X2.5	5-09280-13010
10	TORNILLO 6X28	5-01547-06287
13	TORNILLO 6X70	5-05787-06707
14	ABRAZADERA ALAMBRE TAPA PIÑÓN	5-32202H12000
15	TORNILLO 6X16	5-05787-06166
16	TORNILLO 6X32	5-05787-06327

