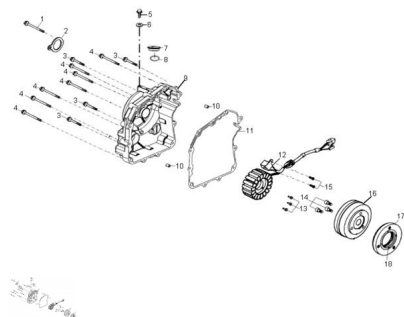


TAPA CARTER DERECHA (FX 300)



Rating: Not Rated Yet

Price:

Variant price modifier:

Base price with tax:

Price with discount:

Salesprice with discount:

Sales price:

Sales price without tax:

Discount:

Tax amount:

[Ask a question about this product](#)

Description	Ref.	Título	Código
	1	TORNILLO M6 X 25 X 1	62-96000
	2	ARO DE TOPE	62-11333
	3	TORNILLO M6 X 25 X 1	62-96000
	4	TORNILLO M6 X 25 X 1	62-96000
	5	TORNILLO M6 X 25 X 1	62-96000
	6		62-94101
	7	TAPA	62-96600
	8	O-RING 34,3	62-93210

MOTOR : TAPA CARTER DERECHA (FX 300)

Ref.	Título	Código	
9	TAPA CARTER DERECHA	62-11330	
10	PERNO GUIA	62-94301	
11	JUNTA TAPA CARTER DERECHA	62-11393	
12	ESTATOR (FX 300)	62-31120	
12	ESTATOR (GF 300)	63-31120	
13	TORNILLO C/ FLANGE M5 X 25X 0,8	62-91300	
14	TORNILLO M8 X 18 X 1,25	62-91005	
15	TORNILLO M6 X 10 X 1,0	62-92000	
16	CAMPANA VOLANTE (FX 300)	62-31110	
16	CAMPANA VOLANTE (GF 300)	63-31110	
17	EXTERIOR TAPA CAMPANA	62-28121	
18	C. TAPA CAMPANA	62-28130	