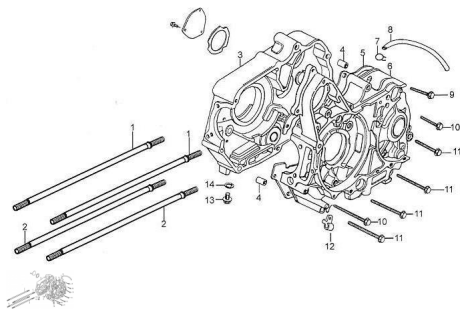


SEMICARTER



Rating: Not Rated Yet

Price:

Variant price modifier:

Base price with tax:

Price with discount:

Salesprice with discount:

Sales price:

Sales price without tax:

Discount:

Tax amount:

[Ask a question about this product](#)

Description

Ref.	Título	Código
1	TORNILLO ESPÁRRAGO A DEL CILINDRO	89-91101-HZ31
2	TORNILLO ESPÁRRAGO B DEL CILINDRO	89-91102-HZ31
3	CARTER DERECHO	89-1222B-HZ31
4	PASADOR GUÍA 10X14	89-91505-D002
5	JUNTA CARTER	89-90208-D002
6	CARTER IZQUIERDO	89-1212B-HZ31
7	ABRAZADERA	89-12112-D002
8	MANGUERA DE RESPIRACIÓN	89-12105-D002
9	TORNILLO M6X25	89-B166740006
10	TORNILLO M6X60	89-B1667400-2
11	TORNILLO M6X65	89-B1667400-3
12	ABRAZADERA	89-12112-D002
13	TAPÓN DE DRENAJE DE ACEITE M12X1.5	89-91103-D002
14	ARANDELA 12	89-91302-9130

