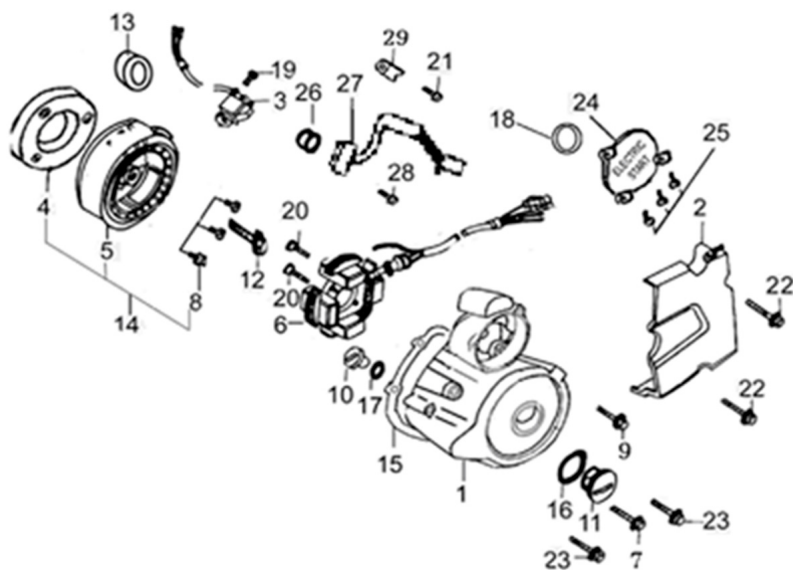


GRUPO VOLANTE MAGNETICO



Rating: Not Rated Yet

Price:

Variant price modifier:

Base price with tax:

Price with discount:

Salesprice with discount:

Sales price:

Sales price without tax:

Discount:

Tax amount:

[Ask a question about this product](#)

Description	POS.	CODIGO	DESCRIPCION	DESCRIPTION	CANT
	1	231-11411	TAPA CARTER LADO VOLANTE	Crankcase Cover,LH	1
	2	231-11451	TAPA PIÑON	Rear Cover,LH	1
	3	231-31280	BOBINA DE INDUCCION	Induced Coil	1
	4	231-28110	BENDIX	Start Clutch Assy	1
	5	231-31110	ROTOR	Magneto Rotor	1
	6	231-31210	ESTATOR	Magneto Stator	1
	14	231-31102	VOLANTE MAGNETICO CON BENDIX	Flywheel Clutch Ass.	1
	15	231-11419	JUNTA TAPA CARTER IZQUIERDO	Gasket,Crankcase Cover,LH	1

MOTOR : GRUPO VOLANTE MAGNETICO

24	231-11421	TAPA MOTOR ARRANQUE	Upper Cover	1
27	231-35710	SENSOR DE CAMBIOS	Neutral Indicator	1