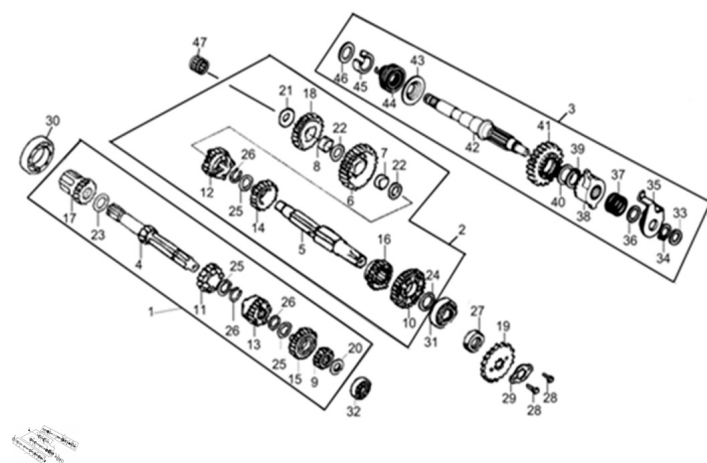


GRUPO TRANSMISION



Rating: Not Rated Yet

Price:

Variant price modifier:

Base price with tax:

Price with discount:

Salesprice with discount:

Sales price:

Sales price without tax:

Discount:

Tax amount:

[Ask a question about this product](#)

Description	POS.	CODIGO	DESCRIPCION	DESCRIPTION	CANT
	1	231-23600	TRANSMISION PRINCIPAL	Main Shaft Assy	1
	2	231-23700	TRANSMISION SECUNDARIA	Countershaft Assy	1
	3	231-27100	TRANSMISION DE ARRANQUE	Start Shaft Assy	1
	4	231-23611	EJE DE TRANSMISION PRINCIPAL	Main Shaft	1
	5	231-23771	EJE DE TRANSMISION SECUNDARIA	Countershaft	1
	6	231-23711	ENGRANAJE SOBRE EJE SECUNDARIO 1ERA	First Gear, Countershaft	1
	9	231-23621	ENGRANAJE SOBRE EJE PRINCIPAL 2DA	Second Gear, Main Shaft	1
	10	231-23721	ENGRANAJE SOBRE EJE SECUNDARIO 2DA	Second Gear, Countershaft	1
	11	231-23631	ENGRANAJE SOBRE EJE PRINCIPAL 3ERA	Third Gear, Main Shaft	1
	12	231-23731	ENGRANAJE SOBRE EJE SECUNDARIO 3ERA	Third Gear, Countershaft	1
	13	231-23641	ENGRANAJE SOBRE EJE PRINCIPAL 4TA	Fourth Gear, Main Shaft	1
	14	231-23741	ENGRANAJE SOBRE EJE SECUNDARIO 4TA	Fourth Gear, Countershaft	1
	15	231-23651	ENGRANAJE SOBRE EJE PRINCIPAL 5TA	Fifth Gear, Main Shaft	1

MOTOR : GRUPO TRANSMISION

16	231-23751	ENGRANAJE SOBRE EJE SECUNDARIO 5TA	5th Gear, Countershaft	1
17	231-27230	ENGRANAJE DE ARRANQUE SOBRE EJE PRINCIPAL	Driven Gears for Start	1
18	231-27220	ENGRANAJE DE ARRANQUE SOBRE EJE SECUNDARIO	Conveying Gears,Start	1
19	231-22711	PIÑON	Output Sprocket	1
41	231-27151	ENGRANAJE DE ARRANQUE SOBRE EJE DE ARRANQUE	Gear,Starting	1
42	231-27111	EJE DE ARRANQUE	Shaft,Starting	1