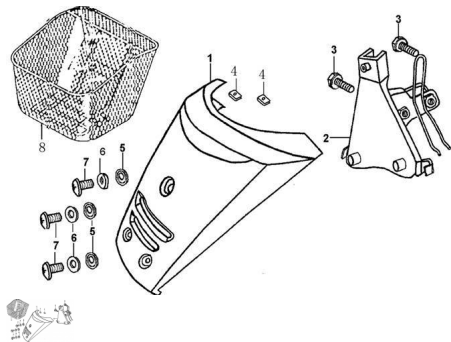


## GRUPO TAPA FRONTAL



Rating: Not Rated Yet

**Price:**

Variant price modifier:

Base price with tax:

Price with discount:

Salesprice with discount:

Sales price:

Sales price without tax:

Discount:

Tax amount:

[Ask a question about this product](#)

Description

	Ref.	Título	Código
1		TAPA FRONTAL BORDO	9-43221BO
1		TAPA FRONTAL GRIS	9-43221GR
2		SOPORTE TAPA FRONTAL	9-43141
3		TORNILLO M8X32	9-GB/T1-20
4		TUERCA	9-ZBT31
5		JUNTA COVERTOR DELANTERO	9-43223
6		ARANDELA 6	9-GB/T9-27
7		TORNILLO ESPECIAL	9-43227
8		CANASTO	9-45130



