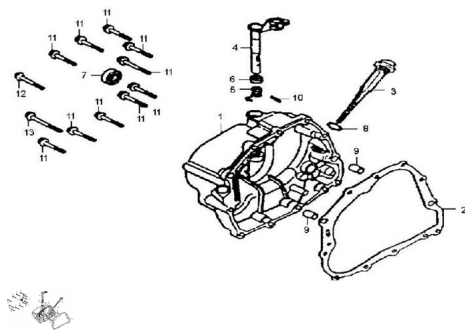


GRUPO TAPA CARTER DERECHO



Rating: Not Rated Yet

Price:

Variant price modifier:

Base price with tax:

Price with discount:

Salesprice with discount:

Sales price:

Sales price without tax:

Discount:

Tax amount:

[Ask a question about this product](#)

Description	Ref.	Título	Código
	1	TAPA CARTER LADO EMB RAGUE	
	2	JUNTA CARTER LADO EMB RAGUE	
	3	VARILLA	
	4	VARILLA DE EMBRA GUE	
	5	RESORTE VARILLA DE EMBRA GUE	

Ref.	Título	Código
	6	ORING
	7	RETEN DE ACEITE
	8	ORING
	9	BUJE GUIA
	9	SEGURO
	10	TORNILLO
	11	TORNILLO
	12	TORNILLO