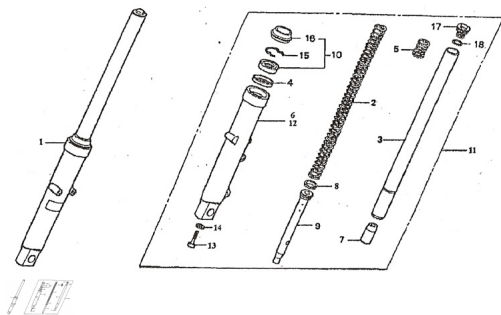


GRUPO SUSPENSION DELANTERA



Rating: Not Rated Yet

Price:

Variant price modifier:

Base price with tax:

Price with discount:

Salesprice with discount:

Sales price:

Sales price without tax:

Discount:

Tax amount:

[Ask a question about this product](#)

Description	Ref.	Título	Código
	1	BARRAL	2-52400
	2	RESORTE DE BARRAL	2-52411
	3	BARRA BARRAL D	2-52412
	4		2-52429
	5	RESORTE SUPERIOR DE	2-52416

ESTRUCTURA : GRUPO SUSPENSION DELANTERA

Ref.	Título	Código
		BARRAL
6	PIERNA DE BARRAL DERECHO	2-52430
7		2-52425
8	RETEN PISTON DE BARRAL	2-52418
9	PISTON DE BARRAL	2-52413
10		2-52480
11	BARRAL	2-52500
12	PIERNA BARRAL	2-52530
13	TORNILLO M8 X 30	2-GB/T70.1
14		
15	SEGURO DE RETEN DE BARRAL	2-52419
16		2-52417
17	TAPON SUPERIOR DE BARRAL	2-52414
18	O-RING 23 X 2.8	