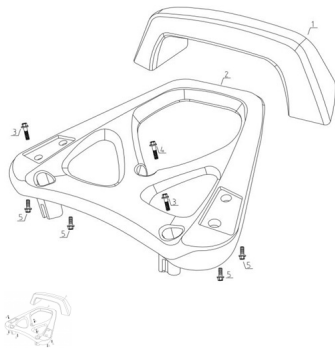


GRUPO PORTAEQUIPAJE



Rating: Not Rated Yet

Price:

Variant price modifier:

Base price with tax:

Price with discount:

Salesprice with discount:

Sales price:

Sales price without tax:

Discount:

Tax amount:

[Ask a question about this product](#)

Description

	Ref.	Título	Código
1		MANIJA DE ELEVACION	137-10427-37
2		PORTA EQUIPAJE TRASERO	137-10427-38

