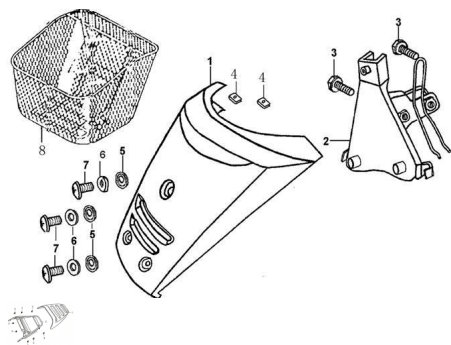


GRUPO PORTAEQUIPAJE



Rating: Not Rated Yet

Price:

Variant price modifier:

Base price with tax:

Price with discount:

Salesprice with discount:

Sales price:

Sales price without tax:

Discount:

Tax amount:

[Ask a question about this product](#)

Description

Ref.	Título	Código
1	C. PORTAEQUIPAJE TRASERO	9-45410
2	TORNILLO M8X32	9-GB/T1-19
3	ARANDELA 10	9-GB/T9-25
4	TUERCA M10	9-GB/T6-13
5	TORNILLO ST4X10	9-GB/T8-22
6	CONEXION PLACA PORTAOBJETOS	9-45815
7	AGARRE DE GOMA, PORTAOBJETOS TRASERO	9-45814

