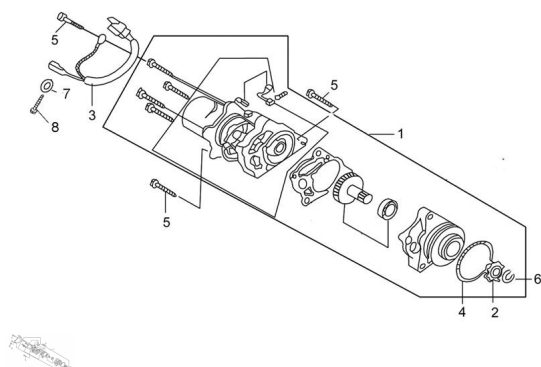


## GRUPO MOTOR DE ARRANQUE



Rating: Not Rated Yet

**Price:**

Variant price modifier:

Base price with tax:

Price with discount:

Salesprice with discount:

Sales price:

Sales price without tax:

Discount:

Tax amount:

[Ask a question about this product](#)

### Description

Ref.	Título	Código
1	MOTOR DE ARRANQUE	10-34700/1P50FM
2	PIÑÓN DE ARRANQUE	10-34761/1P50FM
3	CABLEADO MOTOR DE ARRANQUE	10-34890/1P50FM
4	O-RING	10-34763/1P50FM
5	TORNILLO M6 X 50	10-GB/T5783-4
6	SEGURO 12	10-GB/T894.1
7	ARANDELA 6	10-GB/T97.1
8	TORNILLO M4 X 6	10-GB/T818

