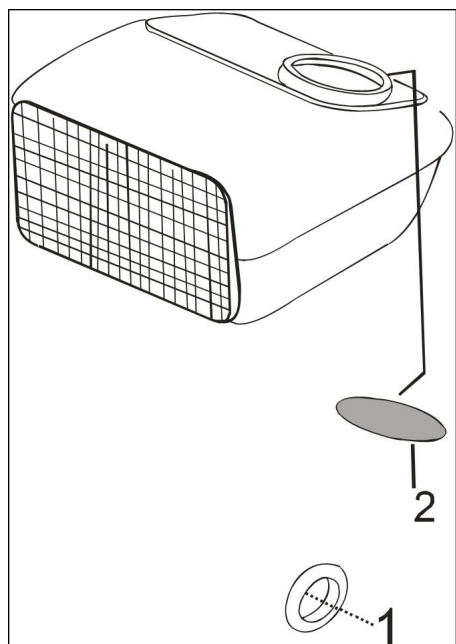


GRUPO INSTRUMENTAL



Rating: Not Rated Yet

Price:

Variant price modifier:

Base price with tax:

Price with discount:

Salesprice with discount:

Sales price:

Sales price without tax:

Discount:

Tax amount:

[Ask a question about this product](#)

Description

	Ref.	Título	Código
1		DISTANCIADOR19 X 12,25 X 18,5	R280400911

	Ref.	Título		Código
2		TAPA ORIFICIO VELOCÍMETRO		R281201936