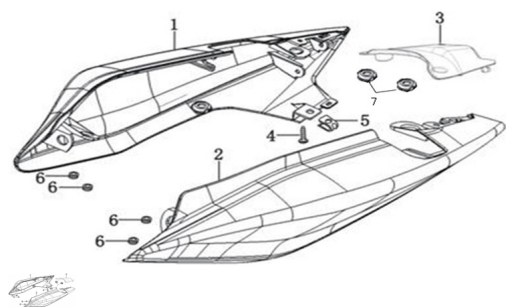


GRUPO COBERTOR DE CUERPO IZQUIERDO/DERECHO



Rating: Not Rated Yet

Price:

Variant price modifier:

Base price with tax:

Price with discount:

Salesprice with discount:

Sales price:

Sales price without tax:

Discount:

Tax amount:

[Ask a question about this product](#)

Description	Ref.	Título	Código
	1-A		
	1-B		
	1-C		
	2-A		
	2-B		
	2-C		

Ref.	Título	Código
3-A		
3-B		
3-C		
4	TORNILLO M5 L=12	176-38023
5	TUERCA	176-38042
6		176-38089
7		