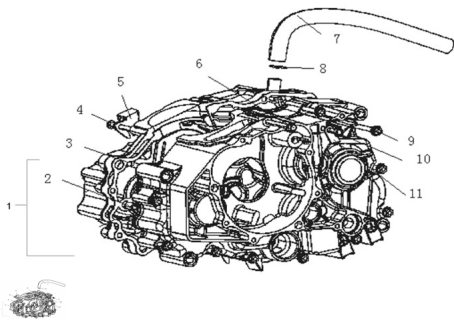


GRUPO CARTER



Rating: Not Rated Yet

Price:

Variant price modifier:

Base price with tax:

Price with discount:

Salesprice with discount:

Sales price:

Sales price without tax:

Discount:

Tax amount:

[Ask a question about this product](#)

| Description | Ref. | Título | Código |
|-------------|------|----------------------|-----------|
| | 1 | KIT SEMIC ARTER | 138-50027 |
| | 3 | JUNTA SE MICARTER | 138-11010 |