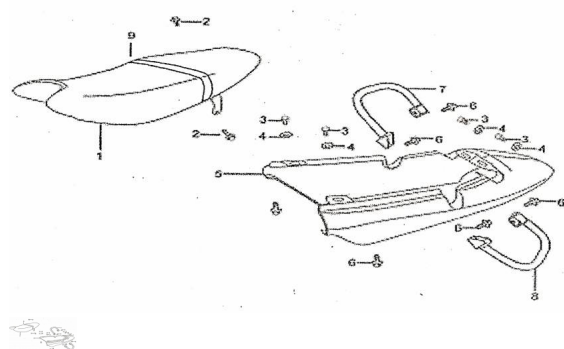


GRUPO CARENADO TRASERO / ASIENTO



Rating: Not Rated Yet

Price:

Variant price modifier:

Base price with tax:

Price with discount:

Salesprice with discount:

Sales price:

Sales price without tax:

Discount:

Tax amount:

[Ask a question about this product](#)

Description	Ref.	Título	Código
	1		2-56560
	2	TORNILLO ESCAPE	2-56546
	3	TUERCA ESCAPE	2-56547
	4		2-56520
	5	PISTON S	2-56544
	6	ANILLO DE CIERRE, PISTON	2-56545

Ref.	Título	Código	
7	PERNI (II)	2-56543	
8	SOPORTE PASTILLA DE FRENO	2-56530	
9		2-GB/T96	
10	PERNO (I)	2-56542	
11	BUJE	2-56548	
12	BUJE B	2-56549	
13	CUERPO S	2-56510	
14	ANILLO DE CIERRE, CILINDRO DE COMP RESION	2-56574	
15	TORNILLO	2-56552	
16		2-GB/T95	
17	SOPORTE PLANO	2-56541	
18		2-900-6	