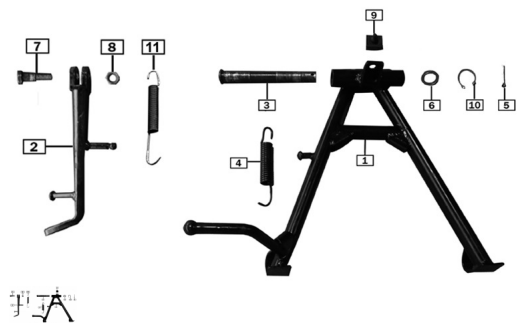


## GRUPO CABALLETE



Rating: Not Rated Yet

**Price:**

Variant price modifier:

Base price with tax:

Price with discount:

Salesprice with discount:

Sales price:

Sales price without tax:

Discount:

Tax amount:

[Ask a question about this product](#)

Description	Ref.	Título	Código
	1		195-32200
	2	SOSTÉN LATERAL	195-32130
	3	EJE CABALLETE	195-32281
	4	RESORTE	195-32202
	5		195-B0009
	6		195-91301

**ESTRUCTURA : GRUPO CABALLETE**

---

Ref.	Título	Código	
	7	TORNILLO	195-91113
	8	TUERCA M6	195-B0617
	9	GOMA DEL SOPORTE DEL CABA LLETE	195-32204
	10	SEGURO SEGGER	195-B0089
	11	RESORTE SOSTÉN LATERAL	195-32102