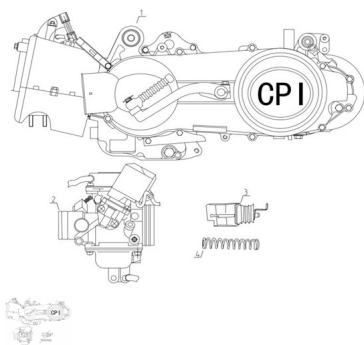


GRUPO BALANCIN



Rating: Not Rated Yet

Price:

Variant price modifier:

Base price with tax:

Price with discount:

Salesprice with discount:

Sales price:

Sales price without tax:

Discount:

Tax amount:

[Ask a question about this product](#)

Description

	Ref.	Título		Código
1		MOTOR		137-10627-4
2		CARBURADOR		137-10627-5
3		TOPE GOMA PEDAL FRENO TRASERO		137-10627-6
4		RESORTE PEDAL DE FRENO TRASERO		137-10627-7

