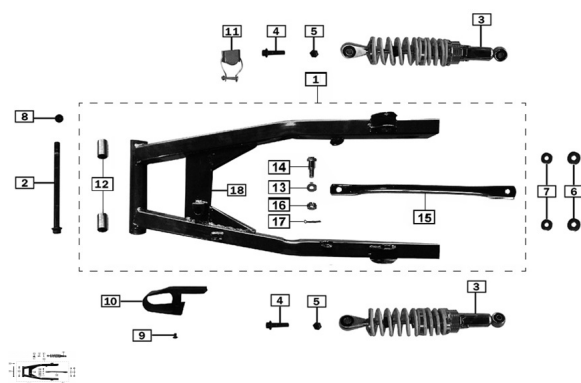


GRUPO BALANCÍN



Rating: Not Rated Yet

Price:

Variant price modifier:

Base price with tax:

Price with discount:

Salesprice with discount:

Sales price:

Sales price without tax:

Discount:

Tax amount:

[Ask a question about this product](#)

Description	Ref.	Título	Código
	1	CONJ. BALANCÍN	195-35200
	2	EJE BALANCÍN	195-35281
	3		195-33300
	4	TORNILLO M6x20	195-B1667
	5	TUERCA M10x1.25	195-B0092
	6		195-91301
	7		195-91301

ESTRUCTURA : GRUPO BALANCÍN

Ref.	Título	Código	
8	TUERCA 14x1.5	195-B0618	
9	TORNILLO M6x16	195-B0081	
10	ROCE DE CADENA	195-35001	
11	GUIA DE CADENA	195-26402	
12	BUJE DE BALANCÍN	195-3520B	
13		195-B0009	
14	TORNILLO BARRA TOPE DE MAZA	195-3521C	
15	BARRA TOPE DE MAZA	195-35215	
16	TUERCA M6	195-B0617	
17		195-B0009	
18	BALANCÍN	195-3520A	