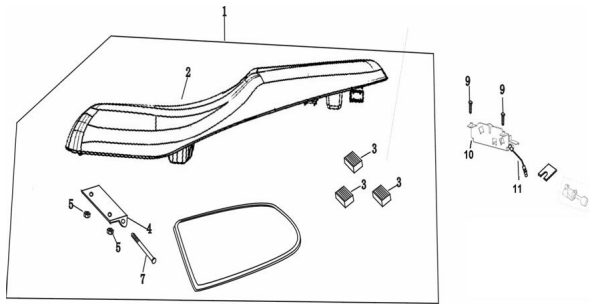


GRUPO ASIENTO



Rating: Not Rated Yet

Price:

Variant price modifier:

Base price with tax:

Price with discount:

Salesprice with discount:

Sales price:

Sales price without tax:

Discount:

Tax amount:

[Ask a question about this product](#)

Description

	Ref.	Título	Código
1		ASIENTO COMPLETO	90-300107
2		ASIENTO	90-328900
3		APOYO TRASERO Y SUJECCION ASIENTO	90-301201
4		VISAGRA ASIENTO	90-301000
5		TUERCA HEXAGONAL	90-803700
7		TORNILLO BISAGRA DE ASIENTO	90-317500
9		TORNILLO M5	90-802300
10		BISAGRA	90-301300
11		CABLE CERRADURA ASIENTO	90-302500

