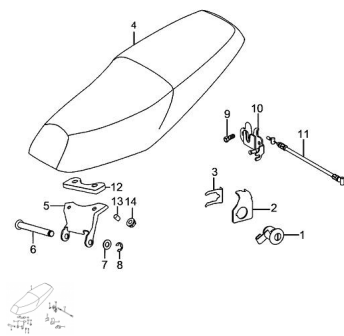


GRUPO ASIENTO



Rating: Not Rated Yet

Price:

Variant price modifier:

Base price with tax:

Price with discount:

Salesprice with discount:

Sales price:

Sales price without tax:

Discount:

Tax amount:

[Ask a question about this product](#)

Description

	Ref.	Título		Código
1		TAMBOR DE CERRADURA		102-95700
2		GUIA TAMBOR		102-95711
3		SEGURO TAMBOR		102-95721
4		ASIENTO		102-45100
5		SOPORTE ASIENTO		102-45261
6		PERNO SOPORTE ASIENTO		102-45216
7		ARANDELA		102-08322
8		SEGURO PERNO		102-08332
9		TORNILLO		102-01547
10		CERRADURA		102-45700
11		CABLE CERRADURA		102-45280
12		GOMA ANTI-VIBRACION		102-45149
13		ESPACIADOR DE GOMA		102-09180
14		TUERCA		102-08316

