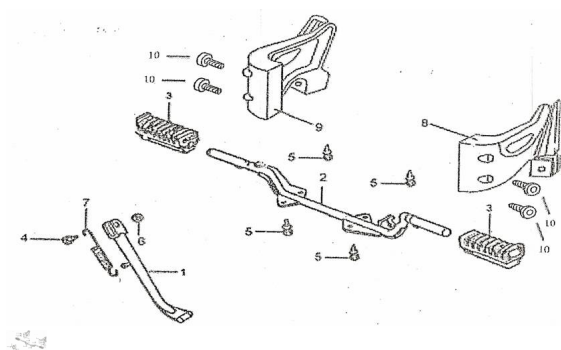


GRUPO APOYA PIE



Rating: Not Rated Yet

Price:

Variant price modifier:

Base price with tax:

Price with discount:

Salesprice with discount:

Sales price:

Sales price without tax:

Discount:

Tax amount:

[Ask a question about this product](#)

Description

Ref.	Título	Código
1	SOSTEN LATERAL	2-42300
2	SOPORTE PEDALIN APOYA PIE	2-42520
3	PEDALIN DE GOMA	2-42542
4	TORNILLO DE MULETA	2-42342
6	TUERCA	

Ref.	Título	Código
	M10 X 1.25	
7	RESORTE DE MULETA	2-42341
8	SOPORTE PEDALIN A	2-42770
9	SOPORTE PEDALIN A	2-42760
10	TORNILLO SOPORTE PEDALIN M8 X 25	
11		2-900-16