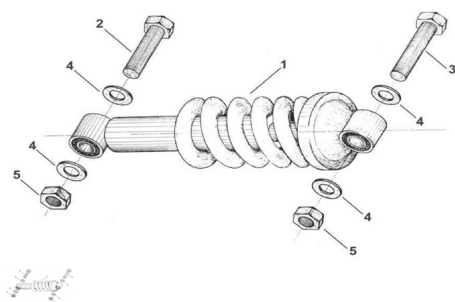


## GRUPO AMORTIGUADOR



Rating: Not Rated Yet

**Price:**

Variant price modifier:

Base price with tax:

Price with discount:

Salesprice with discount:

Sales price:

Sales price without tax:

Discount:

Tax amount:

[Ask a question about this product](#)

Description	Ref.	Título	Código
	1		
	2	Tornillo cabeza hexagonal M10 x 45	514510
	3	Tornillo cabeza hexagonal M10 x 55	515510
	4	Arandela plana ø10	100410
	5	Tuerca hexagonal M10	600810

