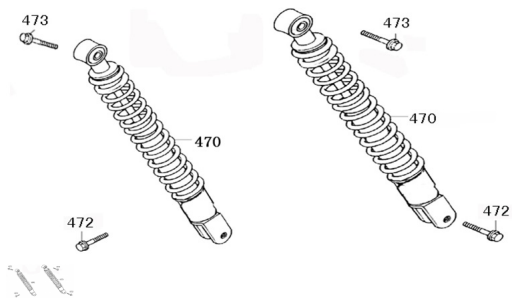


GRUPO AMORTIGUADOR TRASERO



Rating: Not Rated Yet

Price:

Variant price modifier:

Base price with tax:

Price with discount:

Salesprice with discount:

Sales price:

Sales price without tax:

Discount:

Tax amount:

[Ask a question about this product](#)

Description

Ref.	Título	Código
470	CONJUNTO AMORTIGUADORES TRASEROS	179-52500
472	TORNILLO 10*50	179-92201
473	TORNILLO 10*50	179-92201