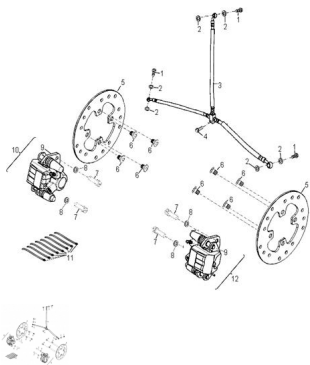


## FRENO DELANTERO



Rating: Not Rated Yet

**Price:**

Variant price modifier:

Base price with tax:

Price with discount:

Salesprice with discount:

Sales price:

Sales price without tax:

Discount:

Tax amount:

[Ask a question about this product](#)

Description	Ref.	Título	Código
	1	PERNO BANJO	
	2		
	3	C. FLEXIBLE DE FRENO	
	4	TORNILLO	

**ESTRUCTURA : FRENO DELANTERO**

---

Ref.	Título	Código
	5	DISCO DE FRENO DE LANTERO
	6	TORNILLO
	7	TORNILLO M8 X 20 X 1,25
	8	
	9	
	10	C. CALIPER D
	11	PRECINTO
	12	C. CALIPER D