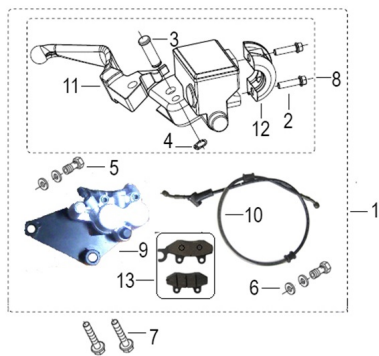


FRENO DELANTERO



Rating: Not Rated Yet

Price:

Variant price modifier:

Base price with tax:

Price with discount:

Salesprice with discount:

Sales price:

Sales price without tax:

Discount:

Tax amount:

[Ask a question about this product](#)

Description	Ref.	Título	Código
	1	FRENO DE LANTERO	
	2	TORNILLO 6X24MM	
	3	BUJE	
	4	SEGURO SEEGER 10MM	

ESTRUCTURA : FRENO DELANTERO

Ref.	Título	Código	
	5	TORNILLO	
	6		
	7	BULON 10	
	8	CILINDRO MAESTRO	
	9	CALIPER D	
	10	FLEXIBLE DE FRENO	
	11	MANIJA DE FRENO	
	12	TAPA, SOPORTE CILINDRO MAESTRO	
	13		