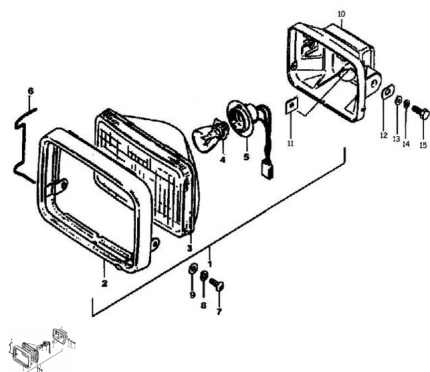


## FAROL DELANTERO COMPLETO



Rating: Not Rated Yet

**Price:**

Variant price modifier:

Base price with tax:

Price with discount:

Salesprice with discount:

Sales price:

Sales price without tax:

Discount:

Tax amount:

[Ask a question about this product](#)

Description	Ref.	Título	Código
	1	FAROL DEL ANTERO COMPLETO	53-35100-1
	2	MARCO SUJETA OPTICA DE LANTERA	53-35103
	3	OPTICA	53-35120
	4	LAMPARA 12V 25/ 35 W	53-82532-2
	5	PORTA LAMPARA FAROL DEL ANTERO	53-35110
	6	ALAMBRE SUJETA	53-35104

**ESTRUCTURA : FAROL DELANTERO COMPLETO**

---

Ref.	Título	Código
		OPTICA Y BASTIDOR
7	TORNILLO M10 X 1,25 X 10	53-GB578-2 6
8	ARANDELA GROWER	53-GB93-2
9	ARANDELA Ø 10	53-GB96-4
10	BASTIDOR FAROL DEL ANTERO	53-35101
11	TUERCA FLOTANTE M5	53-90210
12	GOMA AMORTIGUADORA FAROL DELANTERO	53-35105
13	ARANDELA Ø 10	53-GB97-2
14	ARANDELA GROWER	53-GB93-3
15	TORNILLO HEXAGONAL M10 X 1,25 X 25	53-GB578-2 7