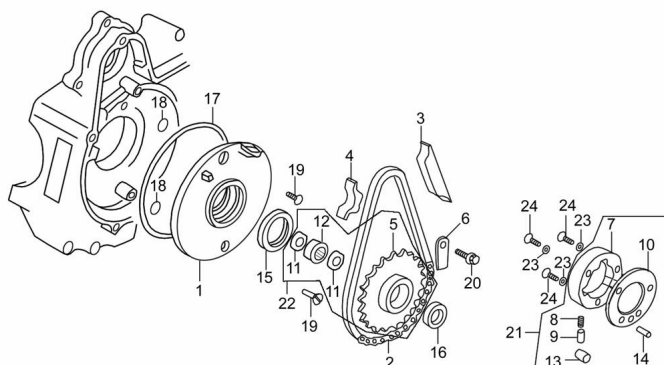


EMBRAGUE DE ARRANQUE



Rating: Not Rated Yet

Price:

Variant price modifier:

Base price with tax:

Price with discount:

Salesprice with discount:

Sales price:

Sales price without tax:

Discount:

Tax amount:

[Ask a question about this product](#)

Description

Ref.	Título	Código
1	TAPA CENTRAL	10-28174/1P50FM
2	CADENA DE ARRANQUE	250302315
3	TENSOR CADENA DE ARRANQUE	250302320
4	GUÍA IMPULSOR CADENA	250302325
5	ENGRANAJE DE ARRANQUE	250302353
6	LÁMINA LOCALIZADORA ENGRANAJE	250302335
7	CUERPO EMBRAGUE DE ARRANQUE	250302340
8	RESORTE	250302345
9	ALOJAMIENTO RESORTE	250302350
10	COBERTOR EMBRAGUE DE ARRANQUE	250302355
11	ESPACIADOR 23	250302360
12	RODAMIENTO AGUJA 19 X 23 X 13	250302365
13	RODILLO 10 X 10	250302370

MOTOR : EMBRAGUE DE ARRANQUE

Ref.	Título	Código
14	PERNO 5 X 12	250302375
15	RETÉN 30 x 42 x 4,5	250302380
16	RETÉN	250302385
17	O-RING 107 X 2	250302390
18	O-RING 6,5 X 1,9	10-31916/1P50FM
19	TORNILLO M6 X 16	10-GB/T819.1
20	TORNILLO M6 X 8	250302343
21	C. EMBRAGUE DE ARRANQUE	250302300
22	CONJUNTO ENGRANAJE	250302382
23	ARANDELA RESORTE ø6	250302383
24	TORNILLO M6 x 14	250302348