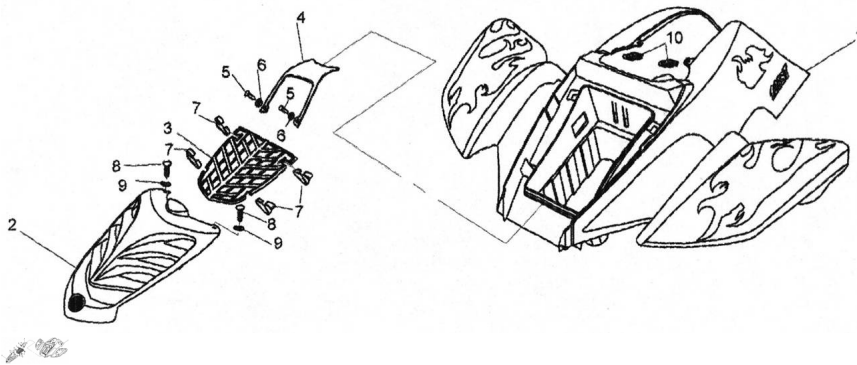


CUERPO DELANTERO



Rating: Not Rated Yet

Price:

Variant price modifier:

Base price with tax:

Price with discount:

Salesprice with discount:

Sales price:

Sales price without tax:

Discount:

Tax amount:

[Ask a question about this product](#)

Description	Ref.	Título	Código
	1		16-300001
	2		16-80011
	3	PLACA CO NECTORA	16-300003
	4	BASE	16-300004

