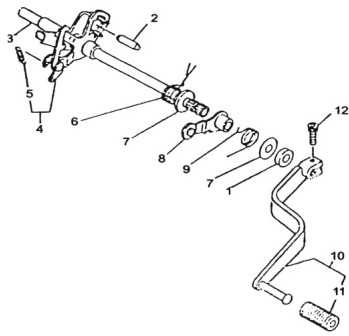


CONJUNTO PEDAL CAMBIOS



Rating: Not Rated Yet

Price:

Variante price modifier:

Base price with tax:

Price with discount:

Salesprice with discount:

Sales price:

Sales price without tax:

Discount:

Tax amount:

[Ask a question about this product](#)

Description	Ref.	Título	Código
	1	RETEN	
	2	RESORTE DE TORSION	
	3		
	4		
	5	RESORTE TENSOR	

MOTOR : CONJUNTO PEDAL CAMBIOS

Ref.	Título	Código
6	RESORTE TORSION DE CAMBIOS	
7		
8		
9	RESORTE DE TORSION	
10		
11	PEDAL PALANCA	
12	TORNILLO M6X20	