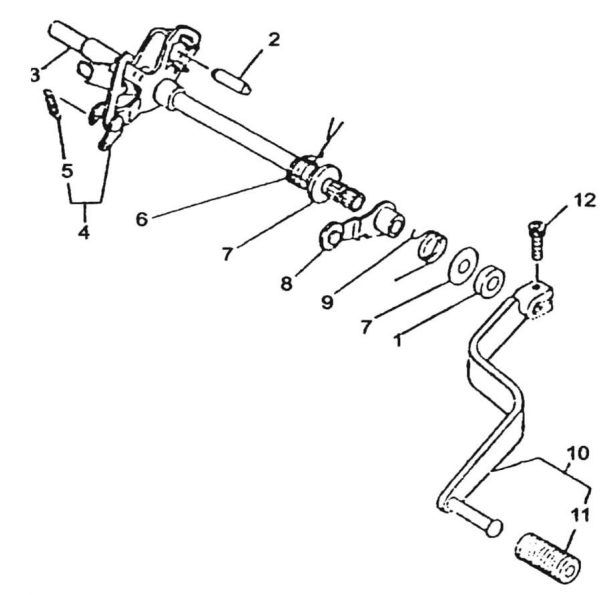


CONJUNTO PEDAL CAMBIOS



Rating: Not Rated Yet

Price:

Variant price modifier:

Base price with tax:

Price with discount:

Salesprice with discount:

Sales price:

Sales price without tax:

Discount:

Tax amount:

[Ask a question about this product](#)

Description	Ref.	Título	Código
	1	RETEN	
	2	RESORTE DE TORSION	

MOTOR : CONJUNTO PEDAL CAMBIOS

Ref.	Título	Código	
	3		
	4		
	5	RESORTE TENSOR	
	6	RESROTE TORSION DE CAMBIOS	
	7		
	8		
	9	RESORTE DE TORSION	
	10		
	11	PEDAL PALANCA	
	12	TORNILLO M6X20	