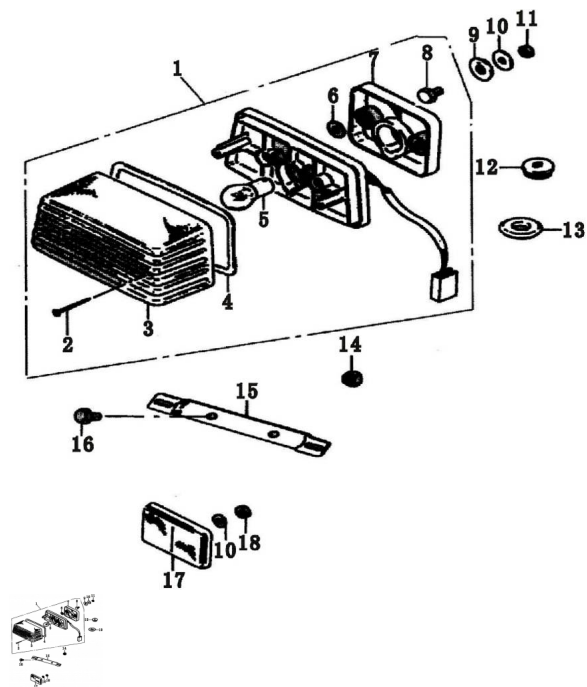


## CONJUNTO FAROL TRASERO COMPLETO



Rating: Not Rated Yet

**Price:**

Variant price modifier:

Base price with tax:

Price with discount:

Salesprice with discount:

Sales price:

Sales price without tax:

Discount:

Tax amount:

[Ask a question about this product](#)

Description	Ref.	Título	Código
	1	FAROL TRASERO COMPLETO	53-35200
	2	TORNILLO ACRILICO FAROL TRASERO	53-GB845-1

**ESTRUCTURA : CONJUNTO FAROL TRASERO COMPLETO**

Ref.	Título	Código	
3	ACRILICO FAROL TRASERO	53-35201	
4	JUNTA FAROL TRASERO	53-35202	
5	LAMPARA 1 2V/21W/5W	53-82532-1	
6	ARANDELA	53-35211	
7	PLACA DE GOMA AMORTIGUADO RA FAROL TRASERO	53-35212	
8	TORNILLO FIJACION FAROL TRASERO	53-35213	
9	ARANDELA DE GOMA	53-35214	
10	ARANDELA Ø 5	53-GB96-2	
11	TUERCA H EXAGONAL M5	53-GB617-1 0	
12	ARANDELA	53-35215	
13	PASA CABLES	53-35216	
14	TUERCA H EXAGONAL M6	53-GB617-1 1	
15	PLACA TRASERA DE IDENTIFICACIÓN	53-72332	
16	TORNILLO HEXAGONAL M 6 X 16	53-GB578-2 1	
17	CATADIOPTICO TRASERO	53-34820	
18	TUERCA H EXAGONAL M5	53-GB617-1 2	