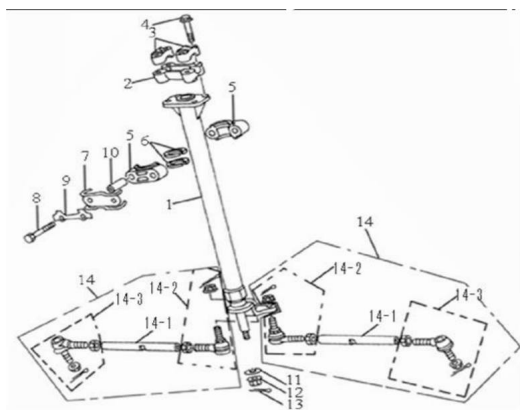


CONJUNTO COLUMNA DE DIRECCION



Rating: Not Rated Yet

Price:

Variant price modifier:

Base price with tax:

Price with discount:

Salesprice with discount:

Sales price:

Sales price without tax:

Discount:

Tax amount:

[Ask a question about this product](#)

Description	Ref.	Título	Código
	14-1	EXTREMO DE	1-611501
	14-2	C. ROTULA INTERIOR	1-611502
	14-3	C. ROTULA EXTERIOR	1-611503
	1	C. COLUMNA DE	1-611200

ESTRUCTURA : CONJUNTO COLUMNA DE DIRECCION

Ref.	Título	Código
2	SOPORTE INFERIOR	1-611002
3	SOPORTE SUPERIOR	1-611001
4	TORNILLO C/FLANGE M8 X 55	1-sa0855
5		1-611018
6	RETEN	1-611019
7	SOPORTE COLUMNA	1-611015
8	TORNILLO	1-611017
9		1-611016
10	CUELLO	1-611021
11		1-q51000
12	TUERCA A	1-mc1000
13	CHAVETA 2 X 10	1-x02020
14	C. EXTREMO DE	1-611500