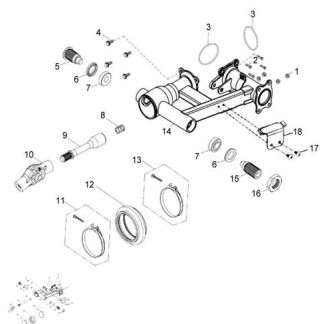


CONJUNTO BALANCIN



Rating: Not Rated Yet

Price:

Variant price modifier:

Base price with tax:

Price with discount:

Salesprice with discount:

Sales price:

Sales price without tax:

Discount:

Tax amount:

[Ask a question about this product](#)

Description	Ref.	Título	Código
	1	TUERCA M10 X 1,25	
	2	TORNILLO M10 X 130 X 1,25	
	3	O-RING Ø75 X 3,1	
	4	TORNILLO M10 X 130 X 1,25	
	5	TORNILLO	
	6	RETEN	

ESTRUCTURA : CONJUNTO BALANCIN

Ref.	Título	Código
7		
8	RESORTE	
9	EJE COND UCTOR	
10	UNION EJE COND UCTOR	
11		
12		
13		
14	C. BALANCIN	
15	TORNILLO	
16	TUERCA	
17		
18	SOPORTE LINEA DE FRENO TRASERA	

