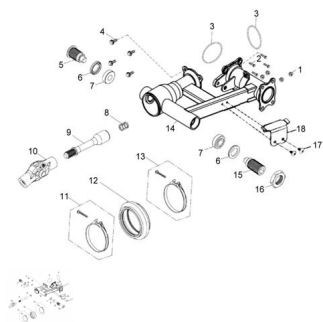


CONJUNTO BALANCIN



Rating: Not Rated Yet

Price:

Variant price modifier:

Base price with tax:

Price with discount:

Salesprice with discount:

Sales price:

Sales price without tax:

Discount:

Tax amount:

[Ask a question about this product](#)

| Description | Ref. | Título | Código |
|-------------|------|---------------------------------|--------|
| | 1 | TUERCA M10 X 1,25 | |
| | 2 | TORNILLO M10 X 130 X 1,25 | |
| | 3 | O-RING Ø75 X 3,1 | |
| | 4 | TORNILLO M10 X 130 X 1,25 | |
| | 5 | TORNILLO | |
| | 6 | RETEN | |

ESTRUCTURA : CONJUNTO BALANCIN

| Ref. | Título | Código |
|------|---|--------|
| 7 | | |
| 8 | RESORTE | |
| 9 | EJE COND UCTOR | |
| 10 | UNION EJE COND UCTOR | |
| 11 | | |
| 12 | | |
| 13 | | |
| 14 | C. BALANCIN | |
| 15 | TORNILLO | |
| 16 | TUERCA | |
| 17 | | |
| 18 | SOPORTE LINEA DE FRENO TRASERA | |

