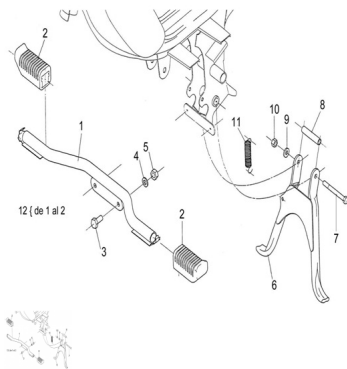


CONJ. PEDALIN



Rating: Not Rated Yet

Price:

Variant price modifier:

Base price with tax:

Price with discount:

Salesprice with discount:

Sales price:

Sales price without tax:

Discount:

Tax amount:

[Ask a question about this product](#)

Description

| | Ref. | Título | | Código |
|----|------|------------------------------------|--------------|--------|
| 1 | | C. soporte pedalín armado | R280105103FN | |
| 2 | | Pedalín apoyo pie. | R290105010 | |
| 3 | | Tornillo cabeza hexagonal M10 x 22 | 502210 | |
| 4 | | Arandela grower ø10 | 200510 | |
| 5 | | Tuerca hexagonal M10 | 600810 | |
| 6 | | CABALLETE PINTADO NEGRO | R120120001 | |
| 7 | | Tornillo cabeza hexagonal M8 x 80 | 518008 | |
| 8 | | Buje caballete | R260700016 | |
| 9 | | Arandela plana ø8 | 100408 | |
| 10 | | Tuerca hexagonal autobloqueante M8 | 461400055 | |
| 11 | | Resorte caballete | R260700010 | |
| 12 | | C. soporte pedalín armado | R280105103FN | |

