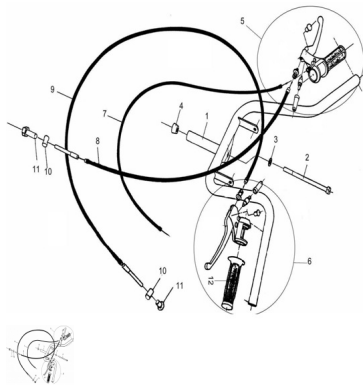


## COMANDOS



Rating: Not Rated Yet

**Price:**

Variant price modifier:

Base price with tax:

Price with discount:

Salesprice with discount:

Sales price:

Sales price without tax:

Discount:

Tax amount:

[Ask a question about this product](#)

| Description | Ref. | Título            | Código    |
|-------------|------|-------------------|-----------|
|             | 1    | C.                |           |
|             | 2    | TORNILLO SUJECIÓN | 281102016 |
|             | 3    |                   | 281200015 |
|             | 4    | Cono de bloqueo   |           |

| Ref. | Título                            | Código |
|------|-----------------------------------|--------|
| 5    | C.comando<br>acelerador<br>c/stop |        |
| 6    | C.comando                         |        |
| 7    | C.cable<br>acelerador             |        |
| 8    | C.cable<br>freno<br>delantero     |        |
| 9    | C.cable<br>freno<br>trasero       |        |
| 10   | Guía varilla<br>cable de<br>freno |        |
| 11   | Tuerca<br>registro<br>freno       |        |