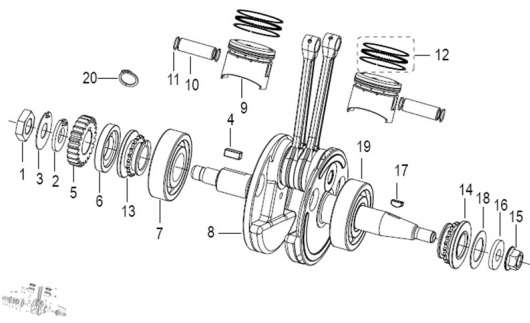


## CIGÜEÑAL



Rating: Not Rated Yet

**Price:**

Variant price modifier:

Base price with tax:

Price with discount:

Salesprice with discount:

Sales price:

Sales price without tax:

Discount:

Tax amount:

[Ask a question about this product](#)

| Description | Ref. | Título                        | Código |
|-------------|------|-------------------------------|--------|
|             | 1    | TUERCA<br>DE<br>CIGUEÑAL<br>I |        |
|             | 2    |                               |        |
|             | 3    |                               |        |
|             | 4    | CHAVETA                       |        |
|             | 5    |                               |        |
|             | 6    |                               |        |

| Ref. | Título             | Código |
|------|--------------------|--------|
| 7    |                    |        |
| 8    | CIGÜENAL           |        |
| 9    | PISTON             |        |
| 10   | PERNO DE PISTON    |        |
| 11   | SEGURO SEEGER      |        |
| 12   | AROS               |        |
| 13   | PIÑON DE CADENA I  |        |
| 14   | PIÑON DE CADENA II |        |
| 15   | TUERCA (M12X1.2)   |        |