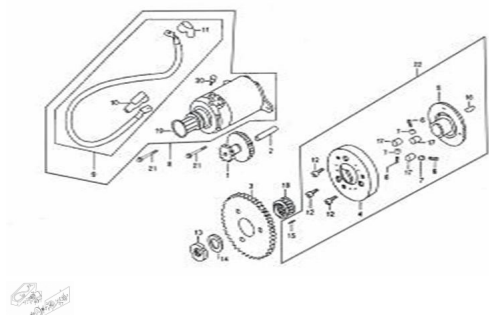


## C. MOTOR Y EMBRAGUE DE ARRANQUE



Rating: Not Rated Yet

**Price:**

Variant price modifier:

Base price with tax:

Price with discount:

Salesprice with discount:

Sales price:

Sales price without tax:

Discount:

Tax amount:

[Ask a question about this product](#)

### Description

Ref.	Título	Código
1	ENGRANAJE REDUCTOR 54/13T	85-193190019
2	EJE, ENGRANAJE REDUCTOR	85-193230014
3	ENGRANAJE, EMBRAGUE DE ARRANQUE	85-193240020
4	CUERPO EMBRAGUE DE ARRANQUE	85-193110011
5	BUJE, EMBRAGUE DE ARRANQUE	85-193100012
6	RESORTE	85-381150309
7	RODILLO	85-193160009
8	CONJUNTO MOTOR DE ARRANQUE	85-270350028
9	CABLE, MOTOR DE ARRANQUE	85-270370010
10	TERMINAL DE GOMA I, CABLE DE MOTOR DE ARRANQUE	85-270410008
11	TERMINAL DE GOMA II, CABLE DE MOTOR DE ARRANQUE	85-270410009
12	TORNILLO M6X12	85-380190043
13	TUERCA M22	85-380810034
14	ARANDELA 22X31X2	85-380450482
15	PERNO 5X6	85-380600097
16	TORNILLO M6X18	85-380140163
17	RODILLO 10X10	85-193140008

# MOTOR : C. MOTOR Y EMBRAGUE DE ARRANQUE

---

	Ref.	Título	Código
18		RODAMIENTO 28X32X17	85-380630189
19		O-RING 24.4X3.1	85-380840378
20		TORNILLO M5X8	85-380200014
21		TORNILLO M6X16	85-380140002
22		EMBRAGUE DE ARRANQUE	85-193090019