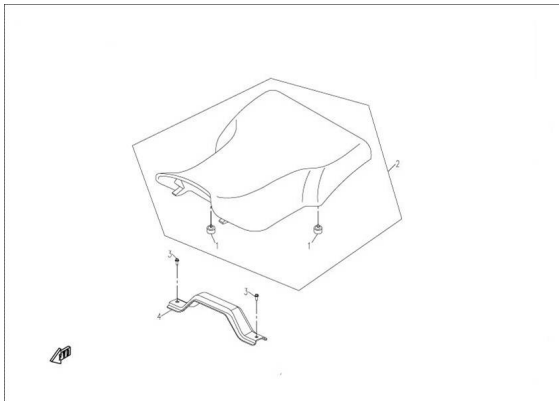


ASIENTO



Rating: Not Rated Yet

Price:

Variant price modifier:

Base price with tax:

Price with discount:

Salesprice with discount:

Sales price:

Sales price without tax:

Discount:

Tax amount:

[Ask a question about this product](#)

Description	Ref.	Título	Código
	1		
	2	ASIENTO	
	3	CUBIERTA EJE FRONTAL	8-80145
	4	SOPORTE DE ASIENTO-1	

