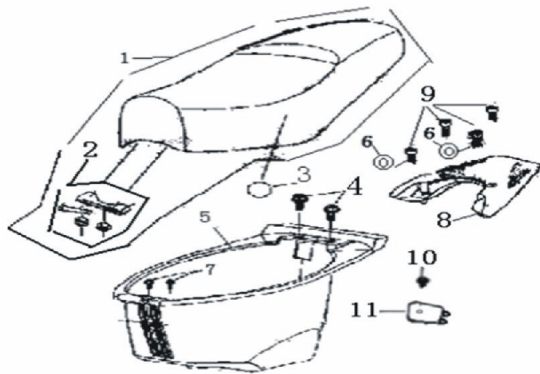


ASIENTO



Rating: Not Rated Yet

Price:

Variant price modifier:

Base price with tax:

Price with discount:

Salesprice with discount:

Sales price:

Sales price without tax:

Discount:

Tax amount:

[Ask a question about this product](#)

Description

	Ref.	Título	Código
1		C. ASIENTO	36-51100BMM
2		BISAGRA ASIENTO	36-51080BMB
3		O-RING	36-08032BM0
4		TORNILLO M6 X 14	36-08011H60
5		BAUL BAJO ASIENTO	36-51004K80
6		ARANDELA D.8	36-B0703000
7		TORNILLO C/FLANGE M6 X 20	36-08017J4A
8		MANIJA DE ELEVACION NEGRA B1	36-52011BMK
9		MANIJA DE ELEVACION NEGRA B4	36-52011BMK-1
9		TORNILLO M8 X 45	36-B0205080
10		TAPON TORNILLO	36-B0507420
11		COVERTOR CAJA PORTA EQUIPAJE	36-51005K80

