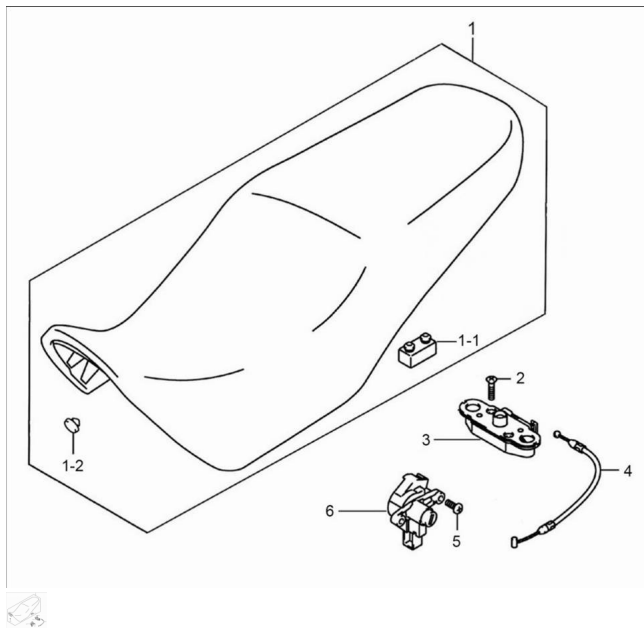


## ASIENTO



Rating: Not Rated Yet

**Price:**

Variant price modifier:

Base price with tax:

Price with discount:

Salesprice with discount:

Sales price:

Sales price without tax:

Discount:

Tax amount:

[Ask a question about this product](#)

Description	Ref.	Título	Código
	1-1		
	1-2		
	1		

**ESTRUCTURA : ASIENTO**

---

Ref.	Título	Código
2	TORNILLO SOPORTE INFERIOR	
3	SOPORTE ASIENTO	
4		
5	TORNILLO	
6		