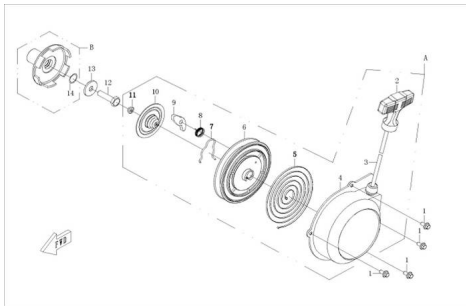


ARRANQUE MANUAL



Rating: Not Rated Yet

Price:

Variant price modifier:

Base price with tax:

Price with discount:

Salesprice with discount:

Sales price:

Sales price without tax:

Discount:

Tax amount:

[Ask a question about this product](#)

Description	Ref.	Título	Código
	A		
	B	POLEA DE	
	1	CUBIERTA EJE FRONTAL	8-80145
	2	MANIJA	
	3	CORREA-2	

Ref.	Título	Código
	4	CUBIERTA DE
	5	
	6	TAMBOR
	7	
	8	RESORTE DE GATILLO
	9	GATILLO
	10	PLACA DE FRICCION
	11	TUERCA M6-ZN. D
	12	TORNILLO
	13	JUNTA 10.2X32X2
	14	O-RING 16.1X3.1